

DIAPHRAGM VACUUM PUMP N 920 G

DATA SHEET E 218



Technical features

- 100 % oil-free transfer – thereby pure transferring and evacuation of gases
- High suction speed, particularly in the low vacuum range
- Integrated gas ballast valve
- Integrated rotational speed control enables pumping capacity to be easily adapted manually to process requirements
- Ideal for aggressive/corrosive gases and vapors
- Maintenance-free
- Environmentally friendly

Technical data

Flow rate [m ³ /h] at atm. pressure	1.26
Flow rate [l/min] at atm. pressure	21
Ultimate vacuum [mbar abs.]	2.0 < 5.0 with gas ballast valve in use
Operating pressure [bar]	0.5
Permissible media temperature [°C]	+5 ... +40
Permissible ambient temperature [°C]	+10 ... +40
Mains [V/Hz]	100 - 240/50 - 60
Motor protection	IP 20
Power P ₁ [W]	135
Operating current [A]	1.4
With overcurrent protection and main fuse	

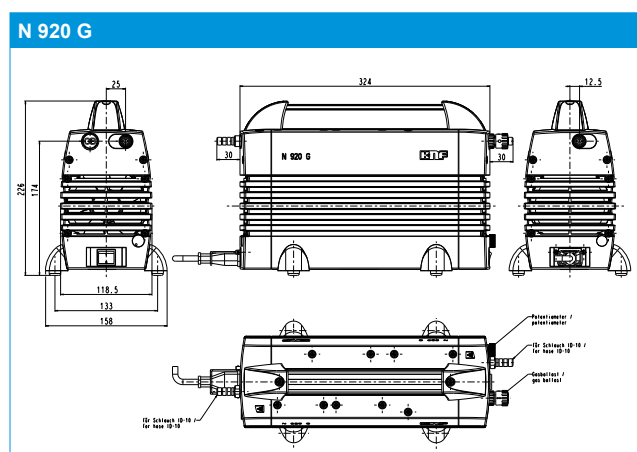
OTHER DATA

Hose connections [mm]	for tube ID 10
Weight [kg]	8.5
Dimensions W x H x D [mm]	158 x 226 x 324

MATERIALS

Pump head	PPS
Diaphragm	PTFE-coated
Valves	FFPM

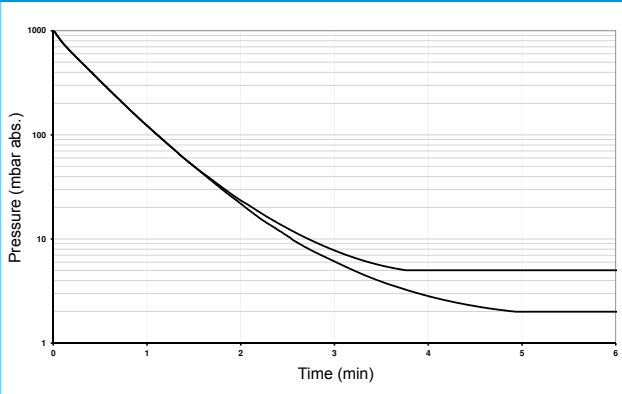
Dimensions



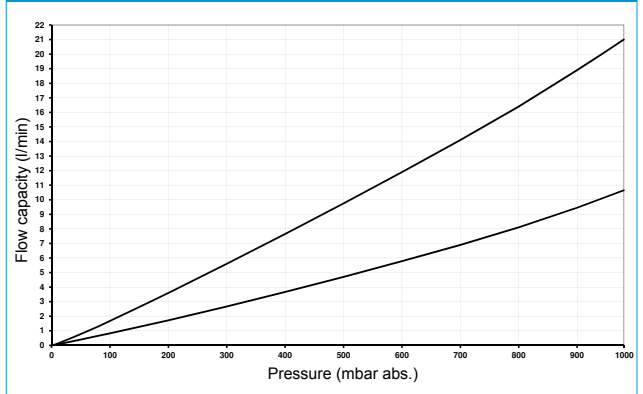
ACCESSORIES	ID
Silencer G 1/8	007006
Fine control valve with vacuum gauge	112432
Small flange, stainless steel SF 16	046625
Spares kit	111905

Performance characteristics

PUMP DOWN TIME FOR 10 LITER VESSEL AT MAX. MOTOR SPEED, GASBALLAST VALVE OPEN/CLOSED



FLOW CAPACITY AT MIN./MAX. MOTOR SPEED GAS BALLAST VALVE CLOSED



SUCTION PUMPING SPEED AT MIN./MAX. MOTOR SPEED GAS BALLAST VALVE OPEN/CLOSED

